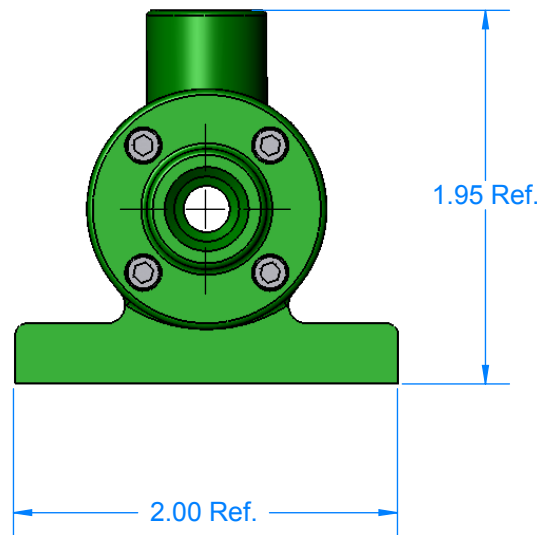


PERFORMANCE Data

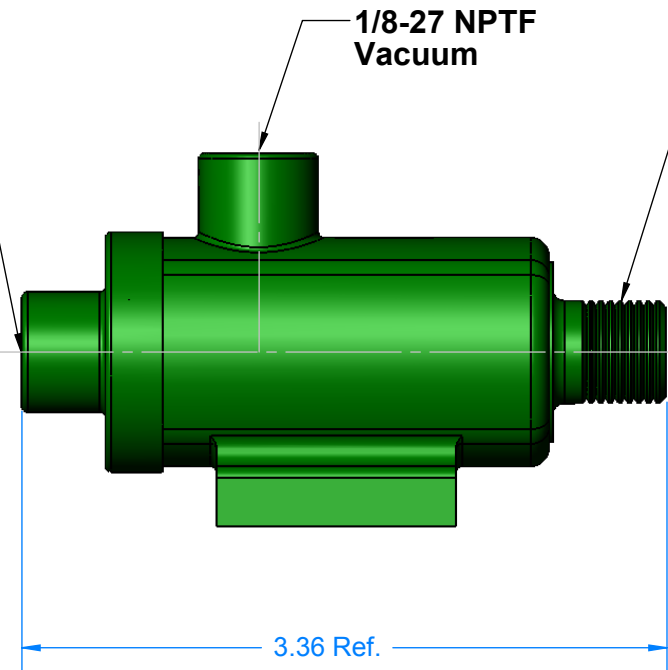
PUMP	PSI	"Hg	V.F.	A.C.
AV191H	75 Psig	27 "Hg min.	4.3 scfm ±10%	8.1 scfm ±10%



1/8-27 NPTF
Air Supply

1/8-27 NPTF
Vacuum

1/4 MPSM
Exhaust



THE INFORMATION IN THIS DOCUMENT IS PROPERTY OF
AIR-VAC ENGINEERING AND MAY NOT BE DISCLOSED
WITHOUT WRITTEN APPROVAL FROM AIR-VAC ENG.

TITLE:
AV VACUUM PUMP

P/N:
AV191H