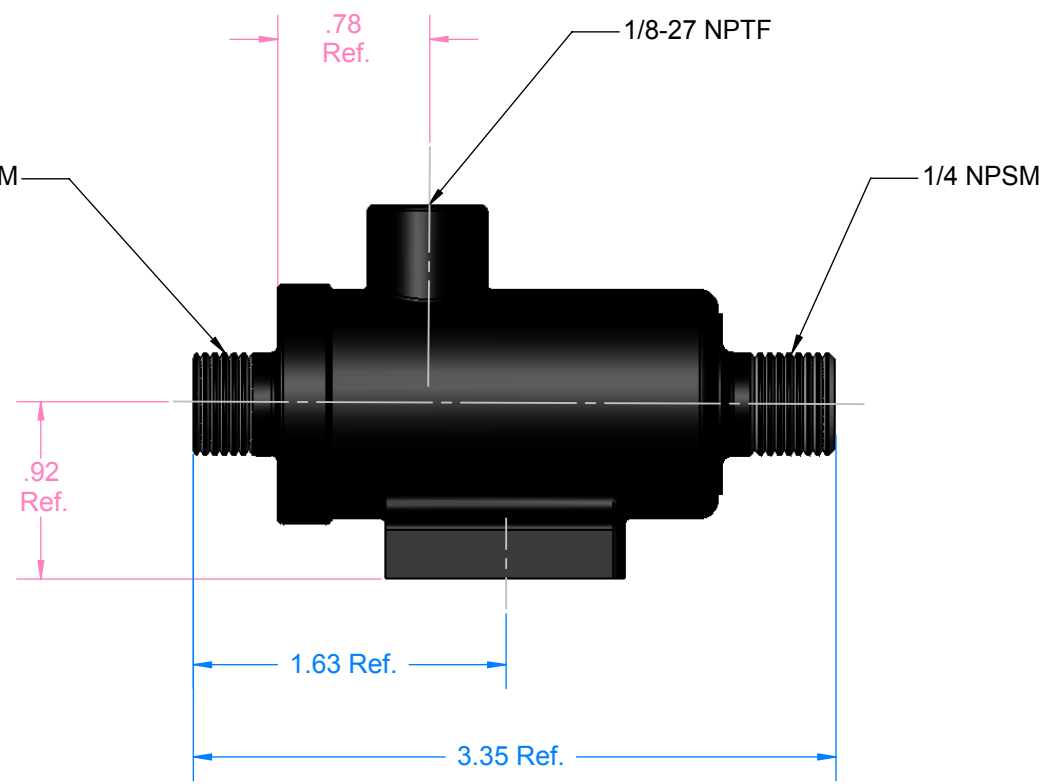
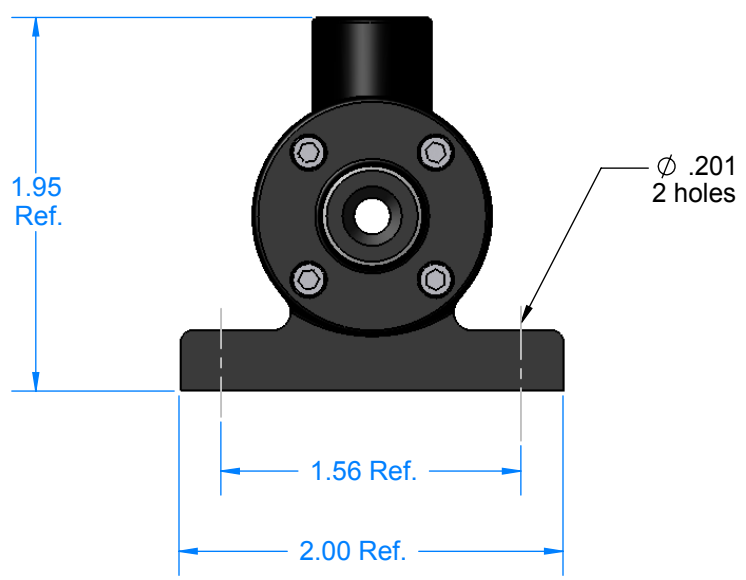


A B C D E F

1



2



3

4



**THE INFORMATION IN THIS DOCUMENT IS PROPERTY OF
AIR-VAC ENGINEERING AND MAY NOT BE DISCLOSED
WITHOUT WRITTEN APPROVAL FROM AIR-VAC ENG.**

TITLE:
TD Vacuum Transducer

A B C D E F